

Check weighing indicator SAI-CK



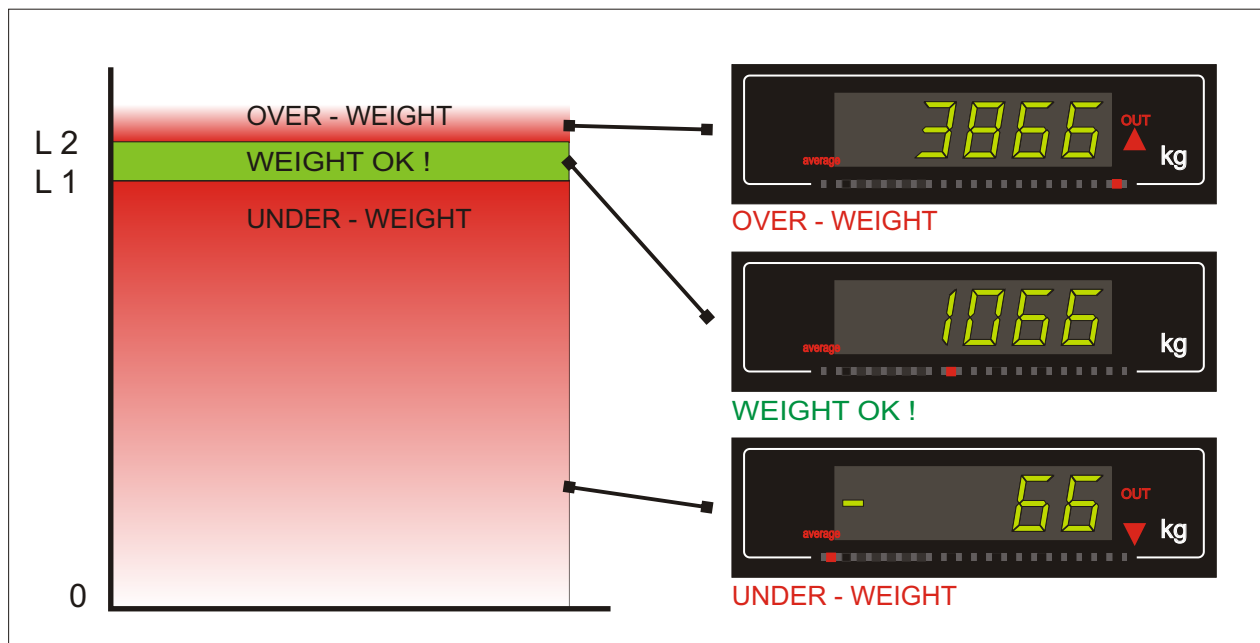
Certified by NMI : TC 2636, 4000 div. 1d => 1µ V

- The solution for In-Line checking.
- Very Fast. 250 Weighing samples per second.
- Too High, too Low or Go judgement in milliseconds.
- Display and Led-bar showing results.
- 1 Solid state contact for Too High and 1 for Too Low.
- 1 Input for photocell. Start sequence
- **RS232 interface WITH PRINTER PROTOCOL.**
- Panel mounting (Other types available).
- Extruded and machined ALU-housing.

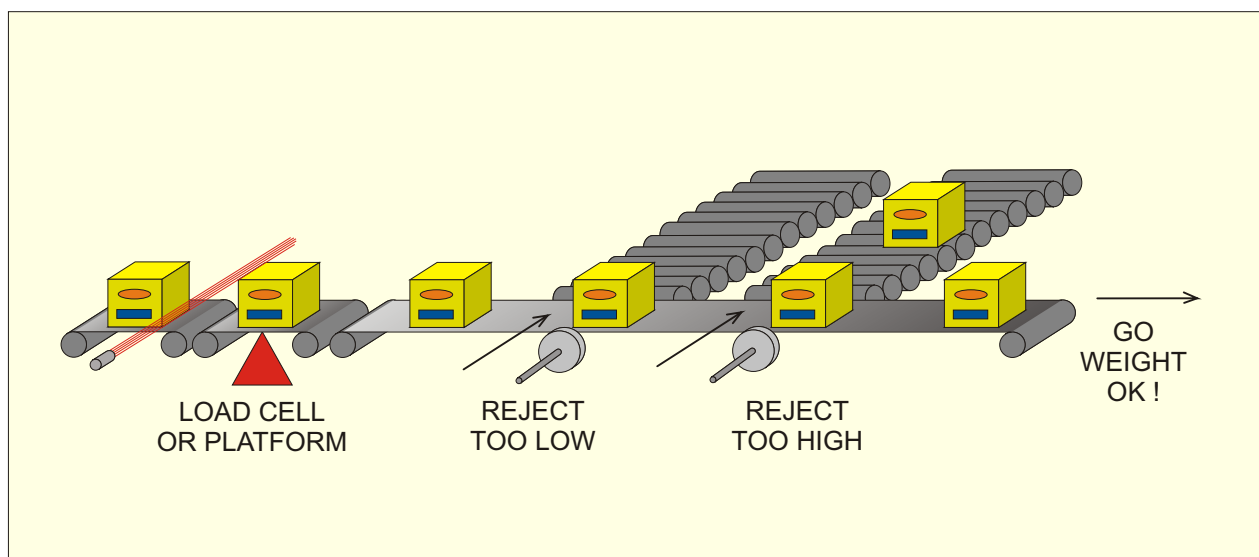


Check weighing indicator SAI-CK

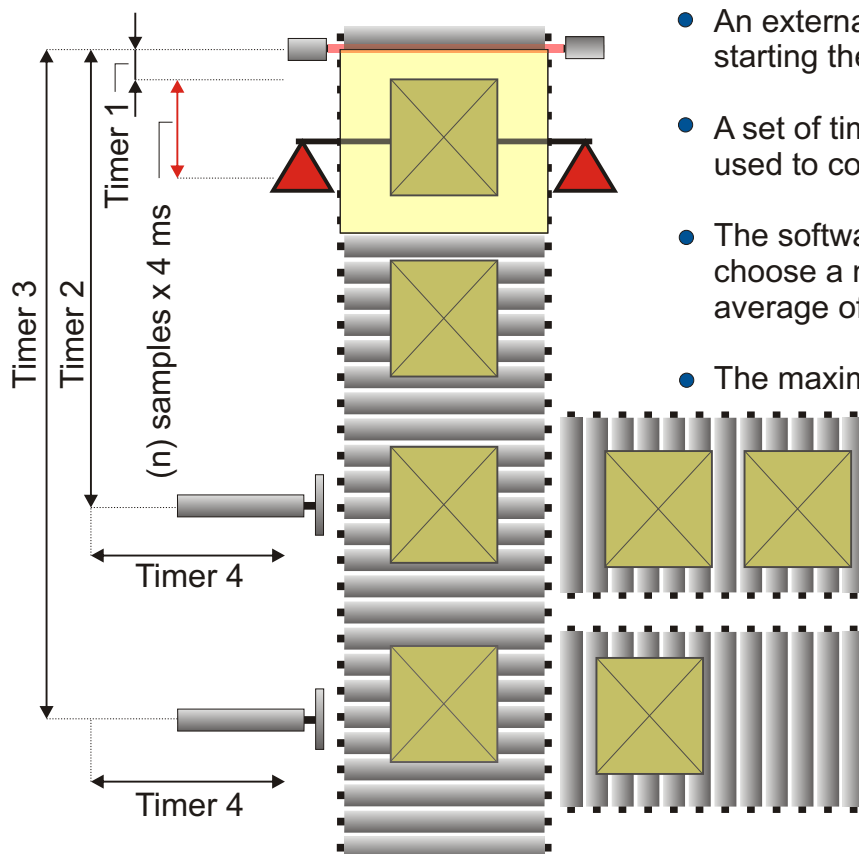
It is easy to get a high quality judgement about the weight of an object. Utilizing advanced weighing technology for extreme quick weighing provides solutions for all kinds of check weighing applications. For you the SAI-CK is the easy solution. Just combine it with a load cell or a platform. Use the check weighing indicator as a component in your larger application. Full digital set up and calibration combined with easy installation makes the instrument exactly what you need.



The Indicator shows : Underweight by the arrow point down and a dot on the left side of the led-bar. Overweight by the arrow point up and a dot on the right side of the led-bar. When the weight is correct we find the dot somewhere in the middle of the led-bar. The led-bar dimension is scaled to the weight OK-band. These indications are there for maximum 1 second or are instantly refreshed by a new value.



HOW TO USE IT.



- Set the Hi- and Lo limit direct with the "M" front key.
- An external photoelectric switch is starting the check weighing cycle(s).
- A set of timers set at milliseconds are used to control the reject devices.
- The software provides the possibility to choose a number of samples for the average of the real value.
- The maximum number of items in progress is four. That means that one item is possible between the checking and rejection areas.

PRINT THE RESULTS.

The printout HEADER and FOOTER are programmable. The installed printer totalises and prints automatically, when the number of items checked exceeds a preset value or 60.000 or the total weight is beyond a value of 9.999.999. The layout is standard 24 characters wide.

The printout provides you the following items:

- The Date and Time the print was prepared.
- The LOW LEVEL. This level activates the reject mechanism for items with a lower weight.
- The HI LEVEL. This level activates the reject mechanism for items with a higher weight.
- Tare PT= It is the value of the preset tare. The checked weight is now the net weight.
- Subtotal or Total. The subtotal is often used as a progress report. After the job is done we print a total report, by doing this we also set the memories on zero.
- The Average on the printout shows the average of all the accepted packages.
- Under and Over gives us the number of packages rejected with a wrong weight.

An "e"-Mark protocol is on request. This replaces the printer protocol. It can be used for "e-Mark" reporting PC.programs.

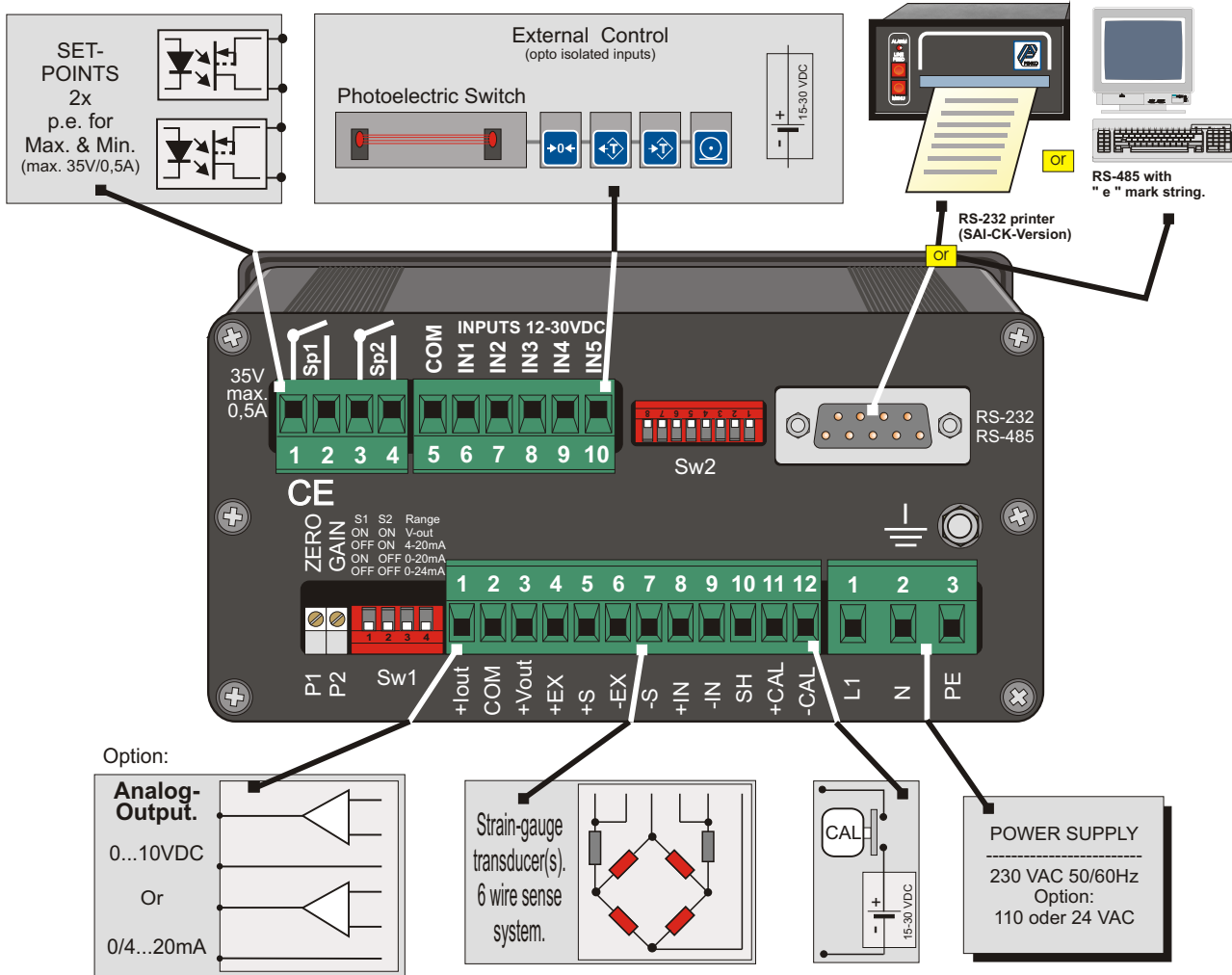
```

-----
PENKO ENGINEERING B.V.
DATE      : 05-09-96
TIME      : 09:15
LO LEVEL  : 0.995 kg
HI LEVEL  : 1.010 kg
TARE PT   : 0.100 kg
SUBTOT.   : 123.174 kg
AVERAGE  : 1.001 kg
COUNT   : 123
UNDER    : 7
OVER     : 5
          WEIGHING = PROFIT
-----
    
```

```

-----
PENKO ENGINEERING B.V.
DATE      : 05-09-96
TIME      : 09:16
LO LEVEL  : 0.995 kg
HI LEVEL  : 1.010 kg
TARE PT   : 0.100 kg
TOTAL.    : 123.174 kg
AVERAGE  : 1.001 kg
COUNT   : 123
UNDER    : 7
OVER     : 5
          WEIGHING = PROFIT
-----
    
```

Product info



Specifications:

Power supply	230 Vac - 50/60 Hz, +/- 10%, 24Vac or 115 Vac optional.
Wiring	full Wheatstone bridge with sense connections.
Display	5 digits 0,56" - 14,2 mm. Ultra Bright.
Display speed	1-10 readings per second.
Excitation voltage	10 V DC, suitable for 1-4 loadcells with a bridge resistance of 350 Ohm.
Input range	+/- 23 mV. Verification unit 1 µV/part.
Conversion speed	250 samples/second.
Linearity	< 0,006 % FS.
Resolution	1/65,000 counts. (16bit internal)
Temperature effect	on zero <= 12 ppm/°C.on span <=10 ppm/°C.
Temperature range	-10 - + 40°C.
Analog filter	12 dB./octave e.g.40dB/decade 2,5 Hz.
Digital filter	36 dB/octave e.g. 120dB/decade 10Hz
Digital output	Isolated RS 232, 1200/9600 Baud or 4-wire RS422.
Inputs	5 optical isolated 12-30 V. DC.
Outputs	2 solid state outputs 10-35 Vdc or ac max 0,5A.
Consumption	14 Watt. with 4 loadcells- 350 Ohm.
Dimensions	150 x 78 x 180 (depth 250mm at certified version).
Weight	appr. 1800 g
Certification	TC 2636 (for 4000 div).

Check weighing indicator SAI-CK