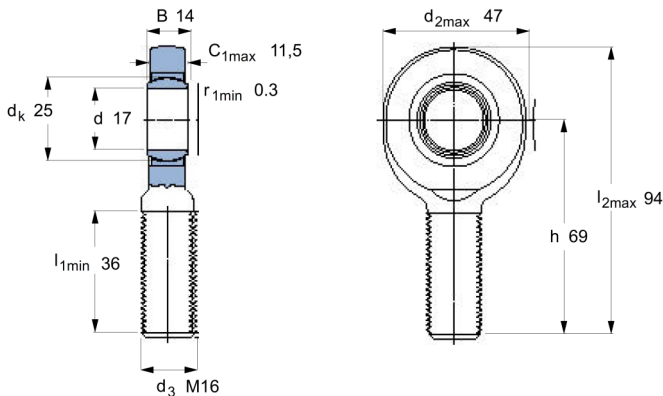


M16-Rod end

- self-adjusting rod end
- tension accessory
- ensures the correct load introduction
- low-maintenance
- static load rating max 42500.



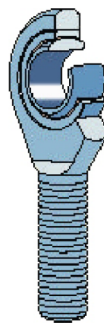
measurements

d	=	17 mm.
d2	=	47 mm
d3	=	M16
B	=	10 mm
C1	=	11,5 mm
h	=	69 mm

Max. angle 10°

Static load rating max 42500 N

Dynamic load rating max 22400 N



For applications where a lot of changing forces occur because the angle of the forces, are periodically changed, it is necessary to bypass (bypass) the spherical heads with a safety system