



PENKO Engineering BV

The Leading Experts In Weighing & Dosing

100kg—500kg
IP68 **IBM2**

APPLICATIONS

The IBM2-IP68 model is specially designed for platforms up to 600mm x 600mm with low profile and is protected from environmental conditions that appear in industry, where work and cleaning require a good environmental protection.



APPLICATION:

Single point scales whose platform is up to 600mm x 600mm

CAPACITY RANGE:

100kg - 200kg— 300kg— 500kg

MATERIAL:

Stainless Steel

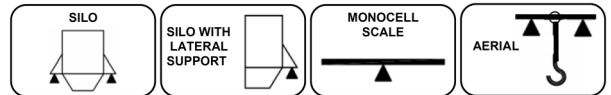
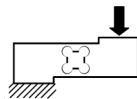
ENVIRONMENTAL PROTECTION:

IP68

APPROVALS:

CE 3000 Div - TC6178

OIML 3000 Div - R60/2000-NL 1-03.03



OPTIONS

Length of the cable is optional.

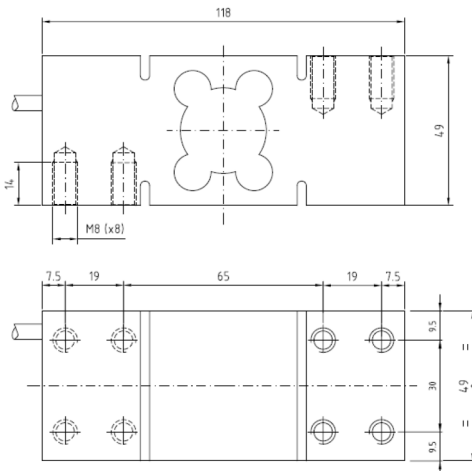
Hostile environmental cable. ATEX option EC-Type examination certificate CEC 11 ATEX 040 X according directive 94/9/EC

II 1G EExia IIC T6 (Ta2-0÷+40°C) TX (Ta-20÷+65°C)

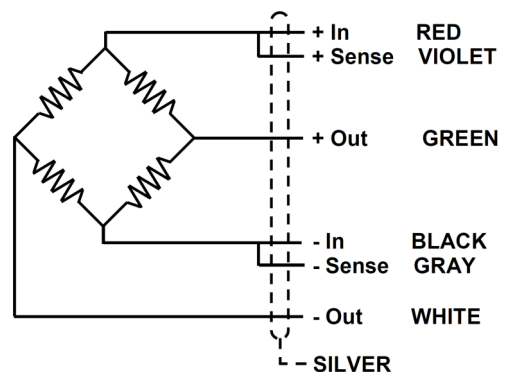
II 1D tD A20 TX°C (Ta-20÷+40°C) TX°C (Ta-20÷+65°C)

For more information look up the Ectype examination certificate, and documentation.

Contact PENKO +31 318-525630 for special requirements.



Dimensions in mm



<i>SPECIFICATONS</i>		
OIML Class	C3	UNITS
Divisions nLC	3000	
Minimum Dead load E _{min}	0	kg
Z= E _{max} / 2DR	3000	
Y= E max./ Vmin.	10000	
Rated Capacity E _{max}	100-200-300-500	kg
Rated Sensitivity C	2 ± 10 %	mV/V
Rated Input Voltage	10	V dc
Input Voltage Range	5...15	V ac/dc
Input Resistance RLC	382 ± 10	Ω
Output Resistance	350 ± 10	Ω
Zero Balance	± 2	% E _{max}
Insulation Resistance at 50 V DC	> 5000	MΩ
Service Overload	> 150	% E _{max}
Overload Limit	> 300	% E _{max}
Temperature Range : Compensated	- 10 ... 40	°C
: Operating	- 30 ... 85	°C
: Storage	- 30 ... 90	°C
Max. Nonlinearity	0,02	% E _{max}
Max. Hysteresis	0,02	% E _{max}
Max. No repeatability	0,01	% E _{max}
M Max. Creep in 4 hours	0,03	% E _{max}
Max. Zero Recovery Test in ½ hour	0,0011	% E _{max}
Max Temperature effect : On Sensitivity	0,0013	% E _{max} / °C
: On Zero	0,0014	% E _{max} / °C
Weight	1770	g
Cable Length	3	m
Environmental Protection	IP68 - DIN 40050 (100h 1m)	