



PENKO Engineering BV

The Leading Experts In Weighing & Dosing

250kg-1000kg **3310**

FEATURES

- Capacities 250–1000 kg
- Low profile for industrial platforms
- Anodized aluminum construction
- 6-Wire (sense) circuit
- IP67 protection
- Low cost

APPLICATIONS

- Low profile platform
- Medical bed weighing
- Tank and silo weighing

DESCRIPTION

Model 3310 is a low profile shear beam load cell designed for high accuracy platform scales, pallet scales and process weighing applications.

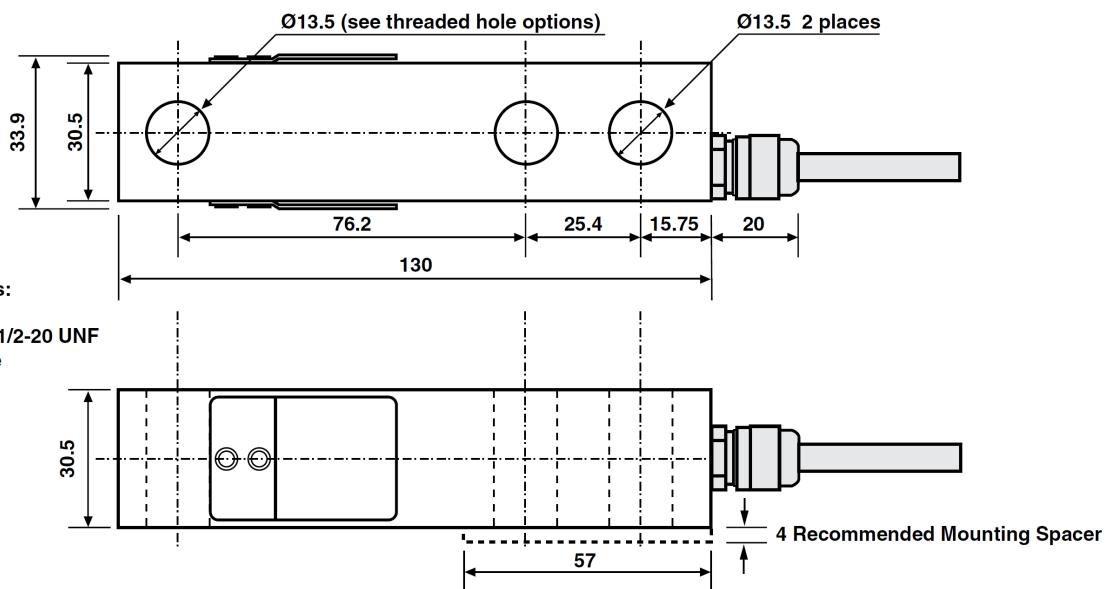


It has high immunity to shock or side loading and is available in 2 mV/V sensitivity.

A special humidity resistant protective coating assures long-term stability over the entire compensated temperature range.

The two additional sense wires feed back the voltage reaching the load cell. Complete compensation of changes in lead resistance due to temperature change and/or cable extension is achieved by feeding this voltage into the appropriate electronics.

OUTLINE DIMENSIONS in millimeters



SPECIFICATIONS				
PARAMETER	VALUE			UNIT
Grade	E	F	G	Units
Rated capacity: metric	250, 500, 750, 1000			kg
Rated output	2.0 ± 0.10%			mV/V
Zero return, 30 min.	0.050	0.025	0.0170	±% of applied load
Total error	0.050	0.30	0.0200	±% of applied load
Temperature effect on zero	0.007	0.0035	0.0023	±% of rated output/°C
Temperature effect on output	0.004	0.0014	0.0012	±% of applied load/°C
Zero balance	3.0	2.0	2.0	±% of rated output
Temperature range: operating	-10 to +70			°C
Temperature range: compensated	-10 to +40			°C
Safe overload	150			±% of rated capacity
Ultimate overload	300			±% of rated capacity
Excitation, recommended	10			VDC or VAC
Excitation, maximum	15			VDC or VAC
Input impedance	415±15			Ω
Output impedance	350±3			Ω
Insulation resistance	>2000			MΩ
Deflection at rated capacity	<0.4			mm
Weight	0.5			kg
Construction	Anodized aluminum			
Environmental protection	IP67			
Cable	3 meters (standard), 6-wire, polyurethane jacket, dual floating screen			
Recommended torque	100 136			lb-ft N*m

All specifications subject to change without notice.

WIRING SCHEMATIC DIAGRAM

