



# PENKO Engineering BV

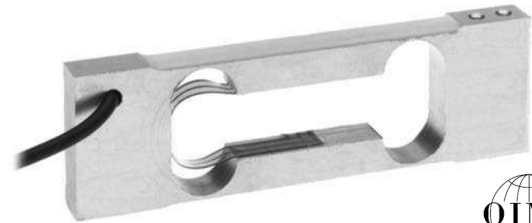
The Leading Experts In Weighing & Dosing

0.3kg-3kg **1004**

## Aluminum Single-Point Load Cell

### FEATURES

- Capacities 0.3–3 kg
- Aluminum construction
- Single-point 200 x 200 mm platform
- IP66 protection
- Total error better than 0.0067% of R.O.
- OIML approved



### APPLICATIONS

- Low capacity scales
- Precision scales
- Jewelry scales
- Pharmaceutical scales

### DESCRIPTION

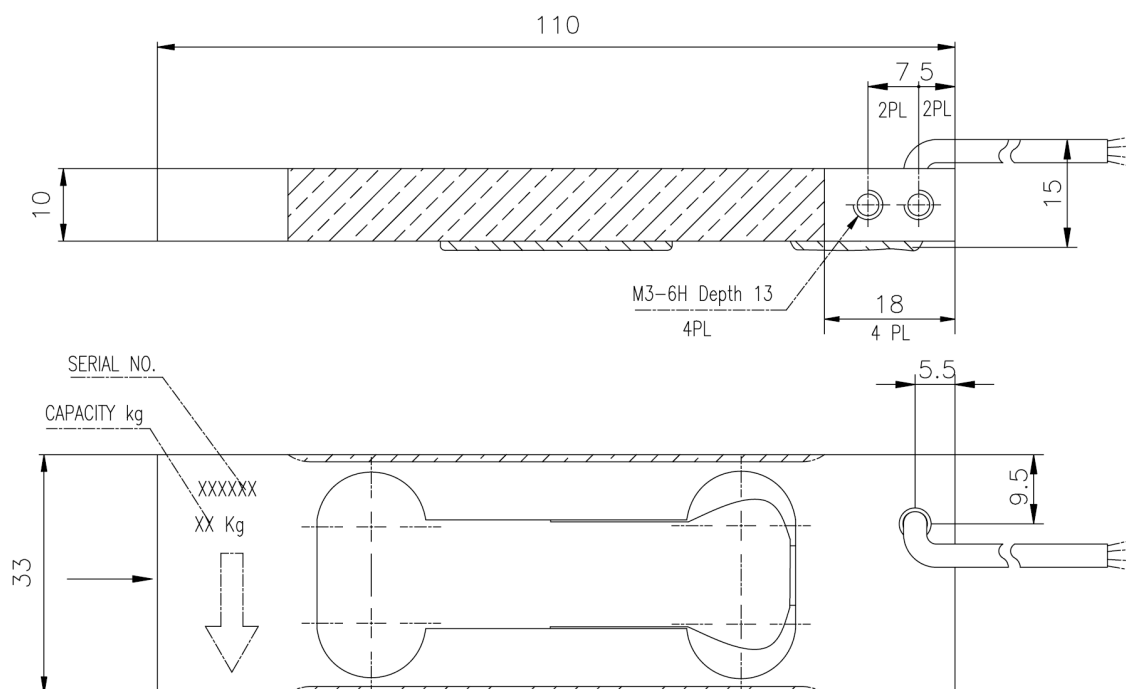
Model 1004 is a very low capacity, very high precision single-point load cell designed for direct mounting in low capacity scales and precision balances.

This load cell is suitable for applications including jewelry scales, analytical balances, medical equipment, medical and pharmaceutical research and low-level force measurement.

The Model 1004 offers up to 30000 divisions short-term precision at stable room temperature. A special two-stage humidity resistant protective coating assures long-term reliability.

An overload protection device can be easily included in the application design. A threaded hole is provided in the loading end of the load cell for this purpose.

### OUTLINE DIMENSIONS in millimeters



SPECIFICATIONS					
PARAMETER	VALUE				UNIT
	C3	GW	HW	JW	
Accuracy class	C3	GW	HW	JW	
Rated capacity – R.C. (E <sub>max</sub> )	0.3, 0.4, 0.6, 1.2, 1.5, 3.0				kg
Rated output – R.O.	0.9				mV/V
Rated output tolerance	0.1				±mV/V
Zero balance	0.04				±mV/V
Zero return, 2 minutes		0.01	0.0055	0.0033	±% of applied load
Zero return, 30 minutes	0.017				±% of applied load
Total error (per OIML R60)	0.02	0.01	0.0067	0.0067	±% of rated load
Temperature effect on zero	0.004	0.004			±% of rated output/°C
Temperature effect on output	0.001	0.002			±% of load/°C
Eccentric loading error		0.0033			±% of rated load/cm
Temperature range, compensated		+5 to +45			°C
Temperature range, safe		-30 to +70			°C
Maximum safe central overload		150			% of R.C.
Ultimate central overload		250			% of R.C.
Excitation, recommended		10			VDC or VAC RMS
Excitation, maximum		15			VDC or VAC RMS
Input impedance		415 ±20			Ω
Output impedance		350±3			Ω
Insulation resistance		>2000			MΩ
Humidity range, safe		<60			%
Cable length		0.4			m
Cable type		4 wire, PVC, spiral shield			
Construction		Aluminum			
Environmental protection		IP66			
Platform size (max)		200 x 200			mm
Recommended torque		2.0			N*m
Humidity Range, Safe		<60			%

All specifications subject to change without notice.

### WIRING SCHEMATIC DIAGRAM (Balanced bridge configuration)

