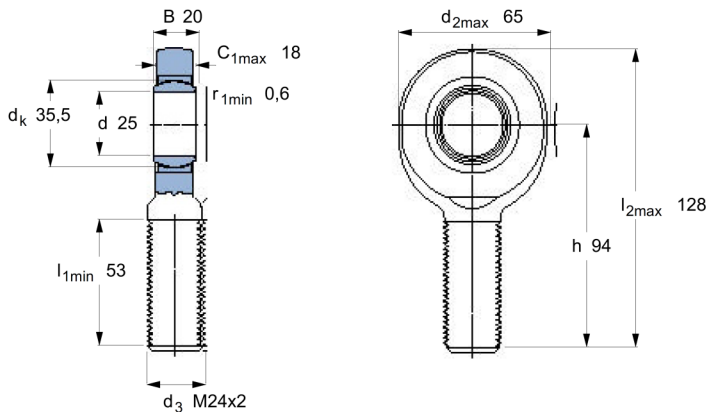


M24-Rod end

- self-adjusting rod end
- tension accessory
- ensures the correct load introduction
- low-maintenance
- static load rating max 100000.



measurements

d	=	25 mm.
d2	=	65 mm
d3	=	M24
B	=	20 mm
C1	=	18 mm
h	=	94 mm

Max. angle 15°

Static load rating max 10000 N

Dynamic load rating max 5800 N

