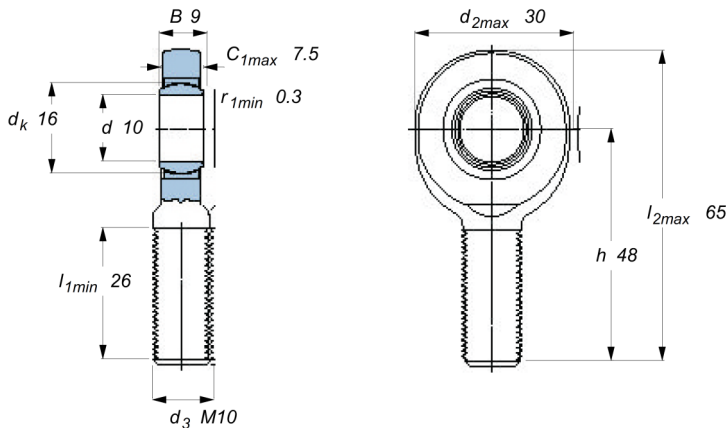


## M10-Rod end

- self-adjusting rod end
- tension accessory
- ensures the correct load introduction
- low-maintenance
- static load rating max 18300



### measurements

d	=	10 mm.
d2	=	30 mm
d3	=	M10
B	=	9 mm
C1	=	7,5 mm
h	=	48 mm

Max. angle 12°

Static load rating max 18300 N

Dynamic load rating max 8650 N



For applications where a lot of changing forces occur because the angle of the forces, are periodically changed, it is necessary to bypass (bypass) the spherical heads with a safety system