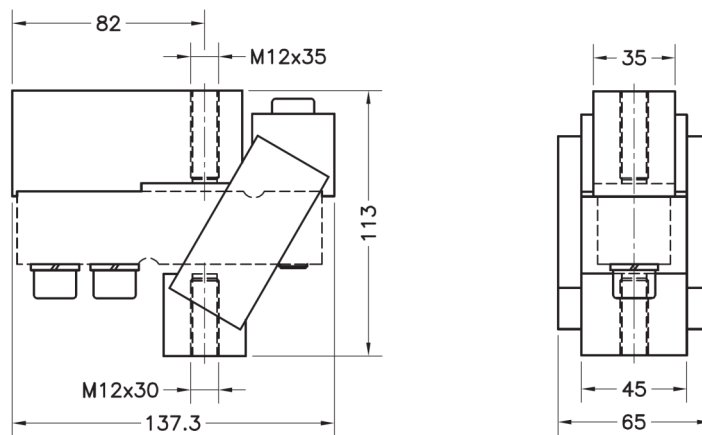


## Acc. **35907** (0.3...2t)

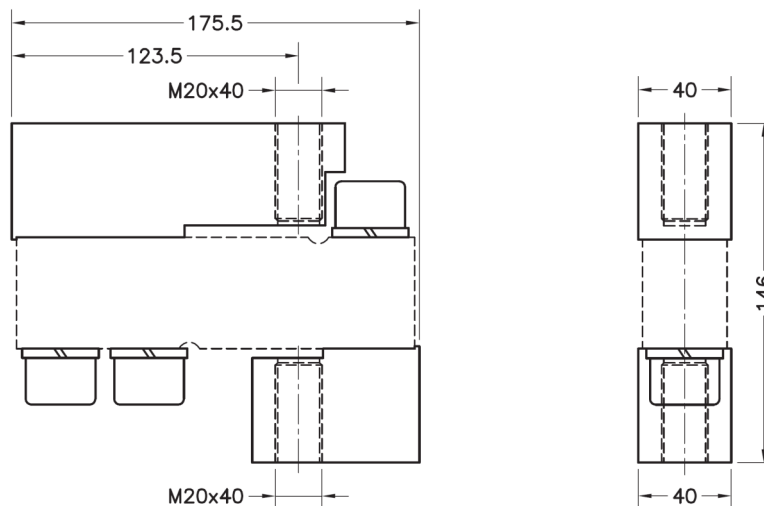


- **Material: Steel alloy zinc-plated / Material: Stahl, verzinkt**
- **Ultimate load: 4000 kg / Maximale Last: 4000 kg**

Dimensions in mm. *Abmessungen in mm.*

Transport weight - *Transportgewicht:* 2.5 kg

## Acc. **35908** (3...5t)



- **Material: Steel alloy zinc-plated / Material: Stahl, verzinkt**
- **Ultimate load: 10000 kg / Maximale Last: 10000 kg**

Dimensions in mm. *Abmessungen in mm.*

Transport weight - *Transportgewicht:* 3.8 kg