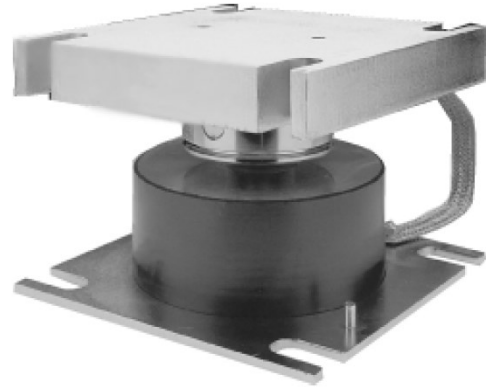


Weighbridge

FEATURES

- For use on steel or concrete weighbridges
- Above ground or pit mounted
- Composite rubber and plated steel construction
- Low profile
- Simple installation
- Shock resistance



DESCRIPTION

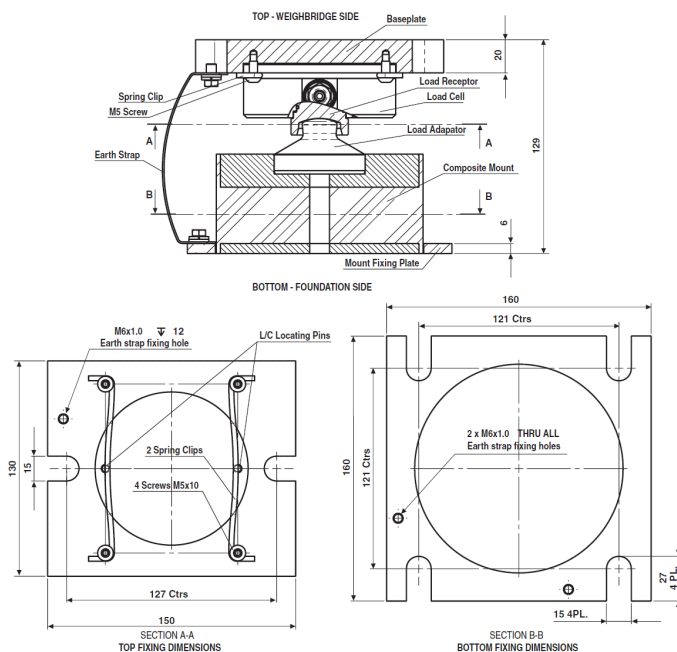
Model 220 is ideally suited for use in steel or concrete weighbridge applications. When used in conjunction with the composite mount it forms a compact assembly which is rugged and tolerant of heavy treatment.

The mount assembly allows free motion in any direction in the

horizontal plane at the same time as supplying restoring moment (return to centre motion) and retaining low vertical deflection. It supplies the required rigidity whilst retaining shock absorption capability. It exhibits low effects to changes of temperature and allows for thermal expansion of the bridge structure.

The complicated arrangements that often accompany conventional installations of load cell mountings are avoided. Tedeia-Huntleigh's system for truck scales can be installed in a matter of a few hours instead of more than one day.

OUTLINE DIMENSIONS in mm



MTS-COMP-10T

Comprising composite mount, load adaptor, mount fixing plate, earth strap, nut and washers.
Packed weight; 5kg.

MTS-BKIT-10T-CS

Comprising baseplate, location pins x 2, spring clips x 2, M5 screws x 4, screw & washers for earth strap.
Packed weight; 5kg

1. To ensure safe use of the weighbridge mount; Restraints should be fitted between the weighbridge deck and foundation.
2. Tedeia-Huntleigh cannot accept responsibility for the improper installation of the weighbridge mount.
3. Because of the weight of the base plate and consequent freight costs, customers might wish to machine it locally. Manufacturing details of this simple plate are available free of charge on request.

Tedeia-Huntleigh provide installation details separately, please refer to Technical Support Document, TSD.0007