

## Silomount

### FEATURES

- 5, 10, 20 and 30T capacity
- Low profile
- Tolerant of angular misalignment
- Stainless steel mounting option
- Jacking support system
- Lift-off protection
- Allowance for thermal expansion

### APPLICATIONS

- Silo mount
- Tank weighing
- Hopper weighing

### DESCRIPTION

The 220 Silo Mount is specifically designed for the support of tanks, silos, and hoppers, making it ideal for indoor or outdoor process control applications when high accuracy weighing is demanded.

The Silo Mount is designed to support a uniformly distributed load and is capable of tilting through a maximum of  $\pm 3^\circ$  from vertical.

The Silo Mount forms a compact assembly offering simple installation which is rugged and tolerant of heavy



industrial environments. Heavy gauge steel construction provides a rigid, robust load cell mount for high accuracy and prolonged life. An earth strap with fixing bolts is provided.

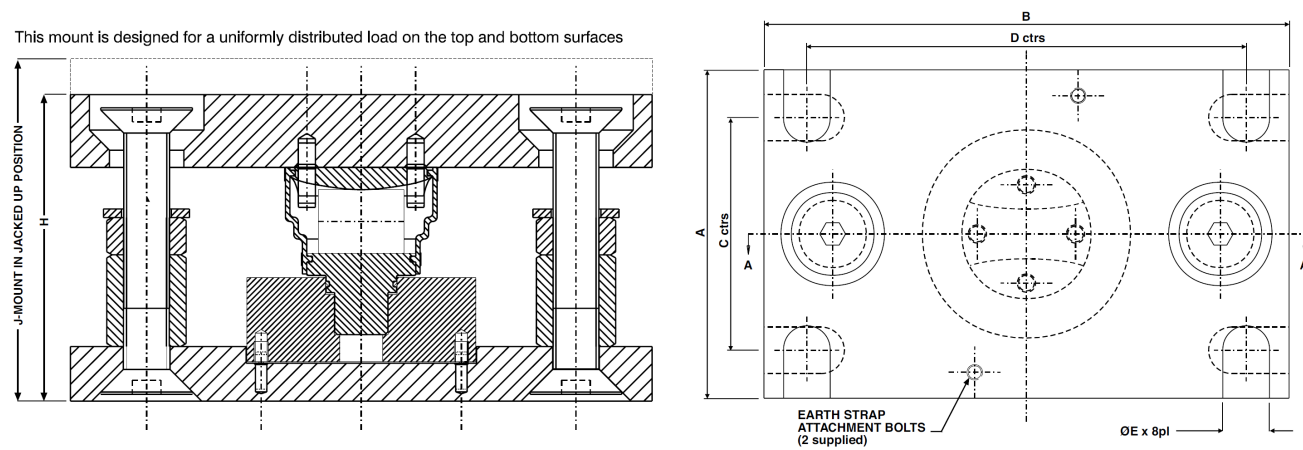
The Silo mount provides a unique jacking support system which allows the mounts to be installed in the raised position without the load cells, this aids the installation, and preventing accidental damage of the load cells.

Lift-off protection and an allowance for thermal expansion of the weighing vessel is also incorporated into the mount design.

For specifications refer to Model 220.

**OUTLINE DIMENSIONS** in millimeters

This mount is designed for a uniformly distributed load on the top and bottom surfaces



| CAPACITY   | A   | B   | C   | D   | ØE | H   | J   |
|------------|-----|-----|-----|-----|----|-----|-----|
| 5 and 10T  | 127 | 203 | 90  | 170 | 18 | 107 | 118 |
| 20 and 30T | 152 | 245 | 115 | 208 | 24 | 148 | 156 |