



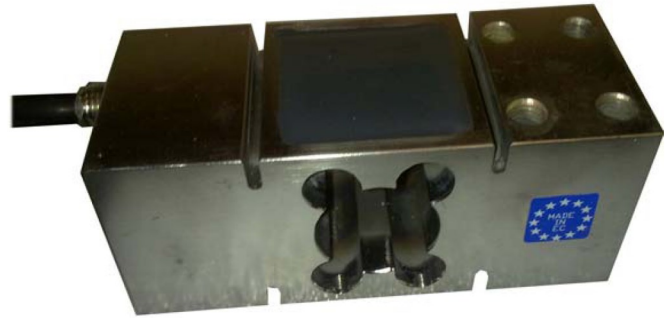
# PENKO Engineering BV

The Leading Experts In Weighing & Dosing

## 150kg—1.000kg IP67 **IBM3**

### APPLICATIONS

The IBM3-IP67 model is specially designed for platforms up to 800mm x 800mm with low profile and is protected from environmental conditions that appear in industry, where work and cleaning require a good environmental protection.



### APPLICATION:

Single point scales whose platform is up to 600mm x 600mm

### CAPACITY RANGE:

150kg - 300kg— 500kg— 1.000kg

### MATERIAL:

Stainless Steel

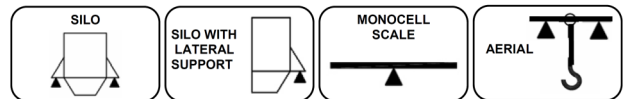
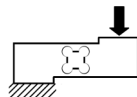
### ENVIRONMENTAL PROTECTION:

IP67

### APPROVALS:

CE 3000 Div - TC6178

OIML 3000 Div - R60/2000-NL 1-03.03

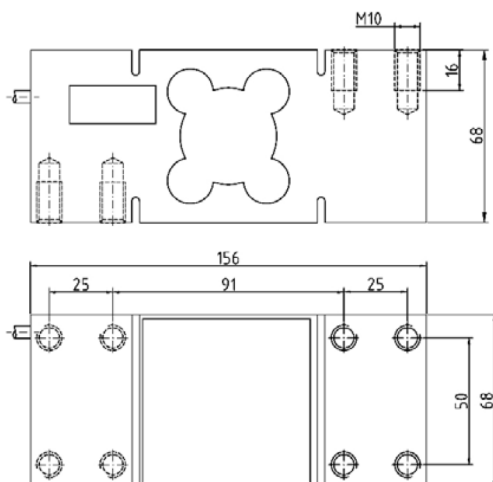


### OPTIONS

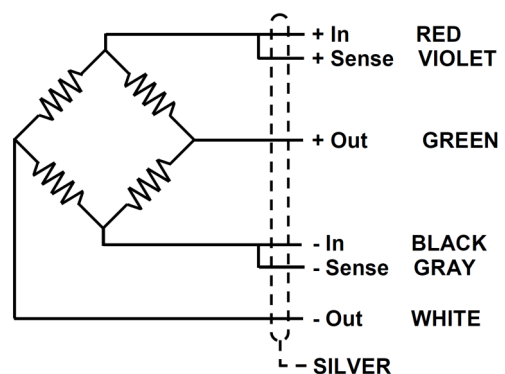
Sensitivity alignment:  $\pm 0,1\%$ .

Length of the cable is optional.

Contact PENKO +31 318-525630 for special requirements.



Dimensions in mm



# Load cell IBM3: 150kg-1.000kg

## Technical Data

<b><u>SPECIFICATONS</u></b>		
OIML Class	C3	UNITS
Divisions nLC	3000	
Minimum Dead load Emin	0	kg
Z= Emax / 2DR	3000	
Y= E max./ Vmin.	10000	
Rated Capacity Emax	150-300-500-1000	kg
Rated Sensitivity C	2 ± 10 %	mV/V
Rated Input Voltage	10	V dc
Input Voltage Range	5...15	V ac/dc
Input Resistance RLC	382 ± 10	Ω
Output Resistance	350 ± 10	Ω
Zero Balance	± 2	% Emax
Insulation Resistance at 50 V DC	> 5000	MΩ
Service Overload	> 150	% Emax
Overload Limit	> 300	% Emax
Temperature Range : Compensated	- 10 ... 40	°C
: Operating	- 30 ... 85	°C
: Storage	- 30 ... 90	°C
Max. Nonlinearity	0,02	% Emax
Max. Hysteresis	0,02	% Emax
Max. No repeatability	0,01	% Emax
M Max. Creep in 4 hours	0,03	% Emax
Max. Zero Recovery Test in ½ hour	0,0011	% Emax
Max Temperature effect : On Sensitivity	0,0013	% Emax / °C
: On Zero	0,0014	% Emax / °C
Weight	4400	g
Cable Length	3	m
Environmental Protection	IP67 - DIN 40050	

